



INSTALLATION GUIDE FOR THE ELECTRIC FIREPLACE

LISTINGS AND CODE APPROVALS

The BF series fireplaces have been tested in accordance with the UL 2021 and CSA C22.2 No. 46 standards for fixed and location-dedicated electric room heaters.

MODEL SPECIFICATIONS

Model Number	Description	Voltage Volts	Rated Power Watts	Remote Control	AMPS 120Volt
BF392SD	39" two sided	120	1500	STANDARD	12.5

NOTE: Power ratings shown include the light bulbs and motor

STEP-BY-STEP INSTALLATION (Note: Please read all instructions before installing)

1. Rough in framing opening following the recommended dimensions (Section A: Framing).

NOTE

Section A: Rough-in framing dimensions are based on ½" thick drywall. Rough-in framing dimensions will vary for different drywall thicknesses.

2. Allow 8" of service cable for connecting to the junction box on the fireplace. Remove the outer jacket and strip the individual conductors ½" from the end.
3. Loosen the screw securing junction box cover and remove the cover (FIGURE 1).
4. Remove knockouts if necessary or use the provided cable clamp.
5. Place unit in position in the opening, level with shims if necessary and attach unit to frame using nailing flanges provided.
6. Unit is factory wired for 120 volt installation. Wires L1, N & G are attached to the rear of the junction box cable clamp for easy access.
7. Wire a dedicated, 15 amp fused circuit with three wires (L1, N & G) rated for 120 volts.
8. Place all connectors inside the unit and replace the junction box cover, ensuring that the cable clamp grips only the jacket of service, thermostat and if applicable wall switch lines.

WARNING

Ensure method of installation does **NOT** obscure the air intake slots on bottom front of unit in any manner.

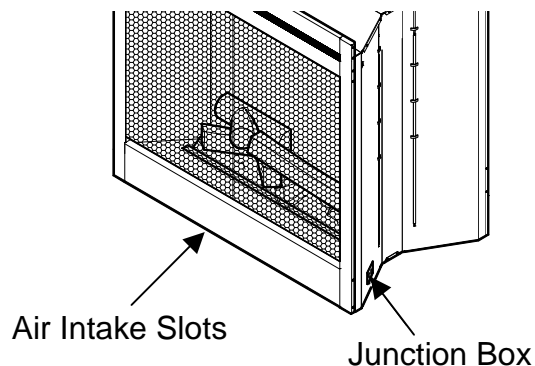
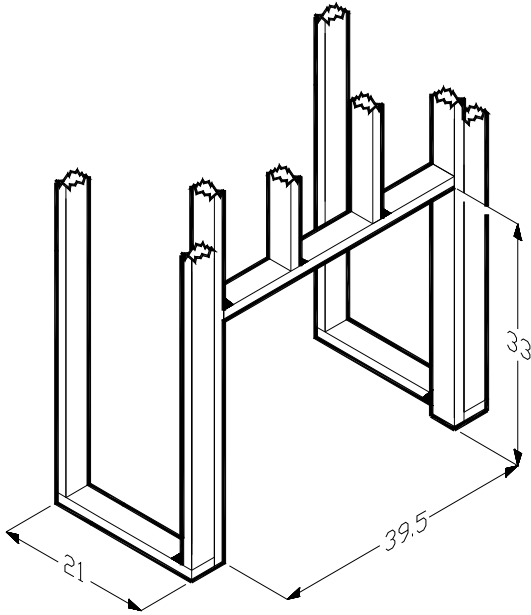
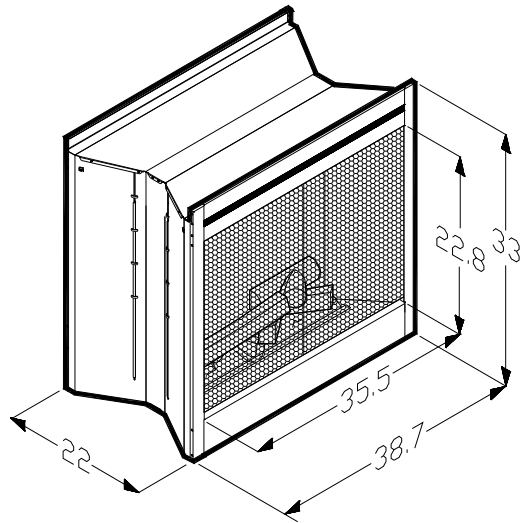


FIGURE 1

SECTION A: FRAMING



Rough-in framing dimensions



Firebox dimensions

This fireplace is a zero clearance design. Combustibles may be installed to the edge of the unit. Four nailing flanges on the sides of the unit are provided to facilitate installation. Insulation and vapor barrier should be placed a minimum of 2 inches from the unit.

SECTION B: RECOMMENDED POWER SUPPLY WIRE SPECIFICATIONS

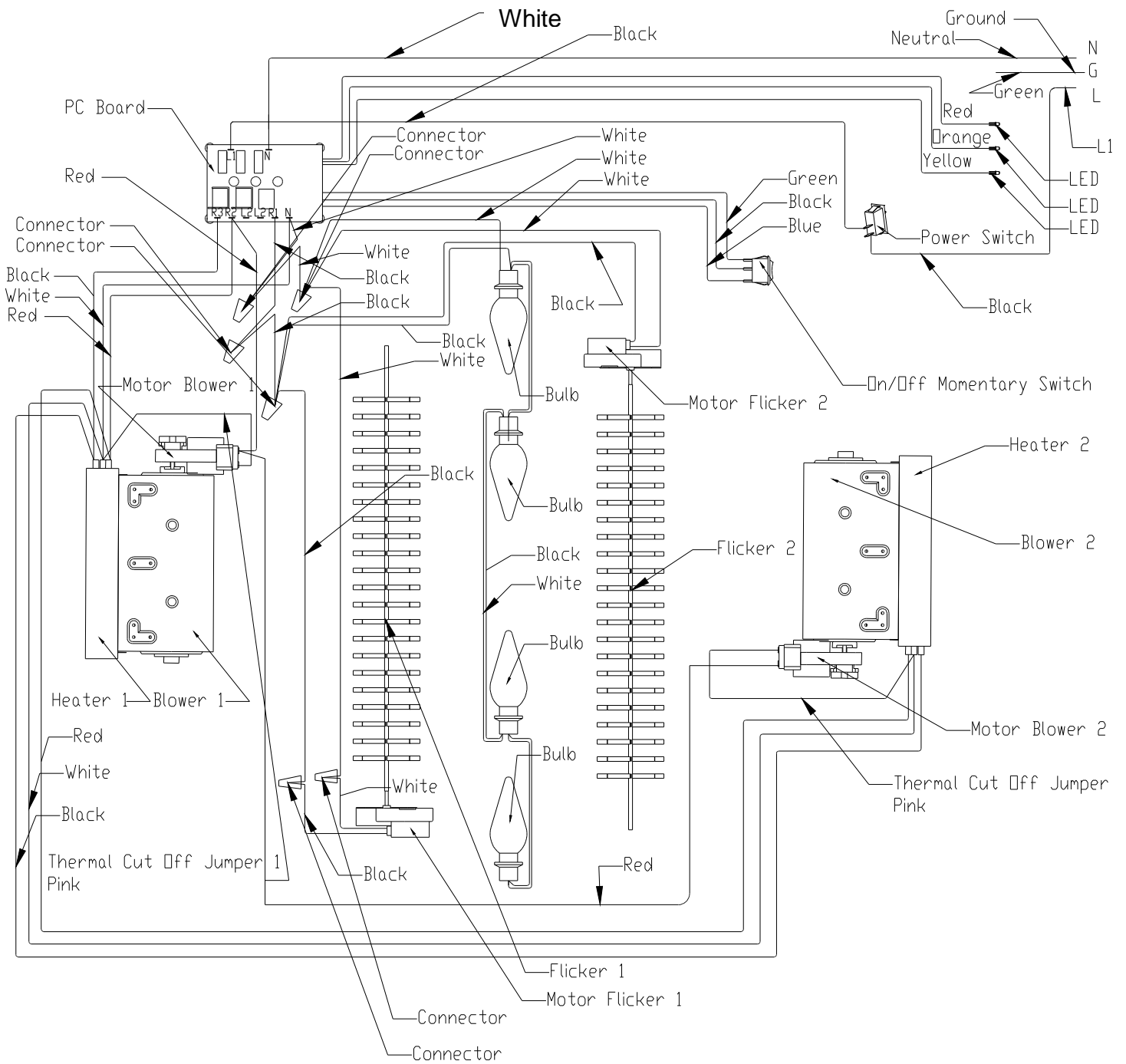
For 120 volt installations use two conductor, non-metallic sheath cable with ground wire for the incoming power supply on fireplace inserts. Use the appropriate wire to meet local and national electrical codes for rated power consumption.

Use appropriate wire to meet local and national electrical codes for rated power consumption.

RECOMMENDED WIRE AND FUSING REQUIREMENTS

VOLTS	WIRE GAUGE	FUSE RATING
120 VOLT	14 GAUGE	15 AMP

WIRING DIAGRAM





Approved for use in the United States and Canada

DC Dimplex®

1367 Industrial Road
Cambridge, Ontario
Canada, N1R 7G8