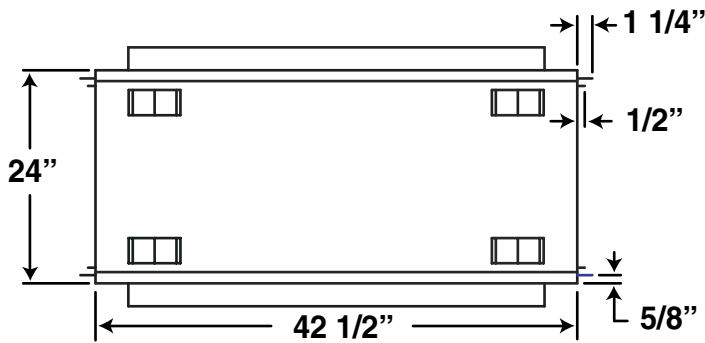


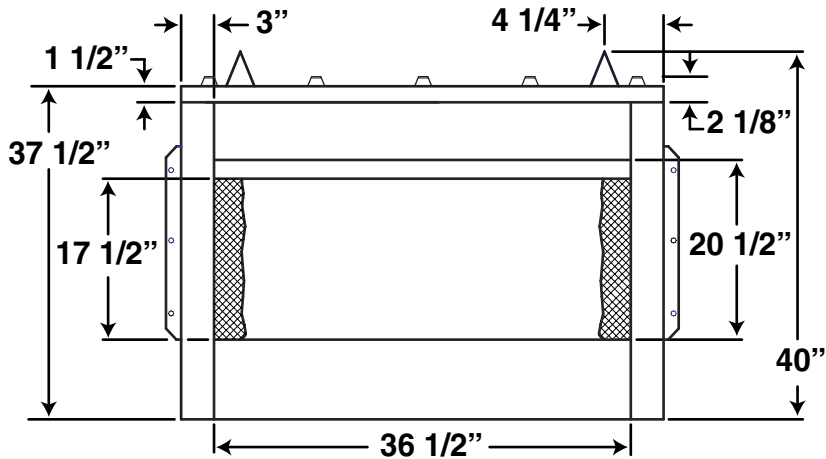
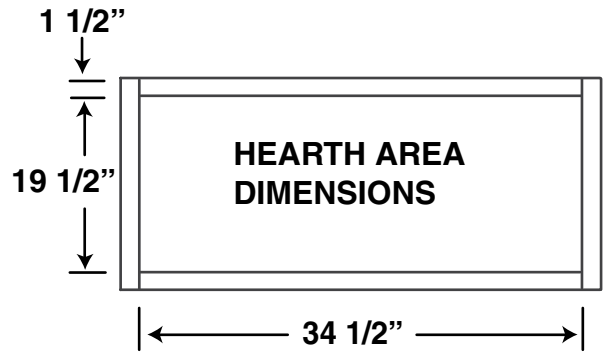
# Universal See Thru

ANSI Z21.91 & ANSI Z21.11 Certified

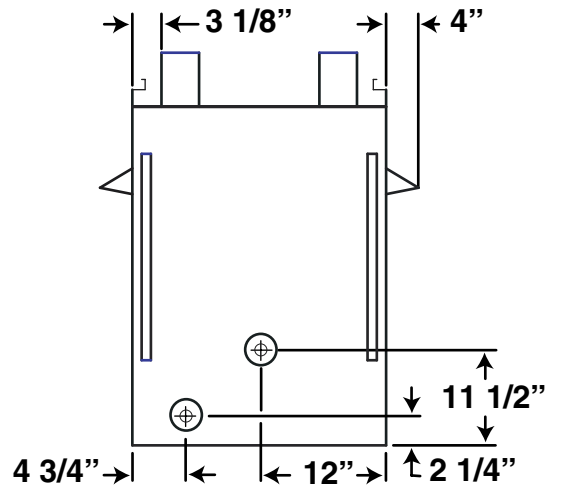
**36"** Universal See Thru  
Vent Free Fireplace



TOP VIEW



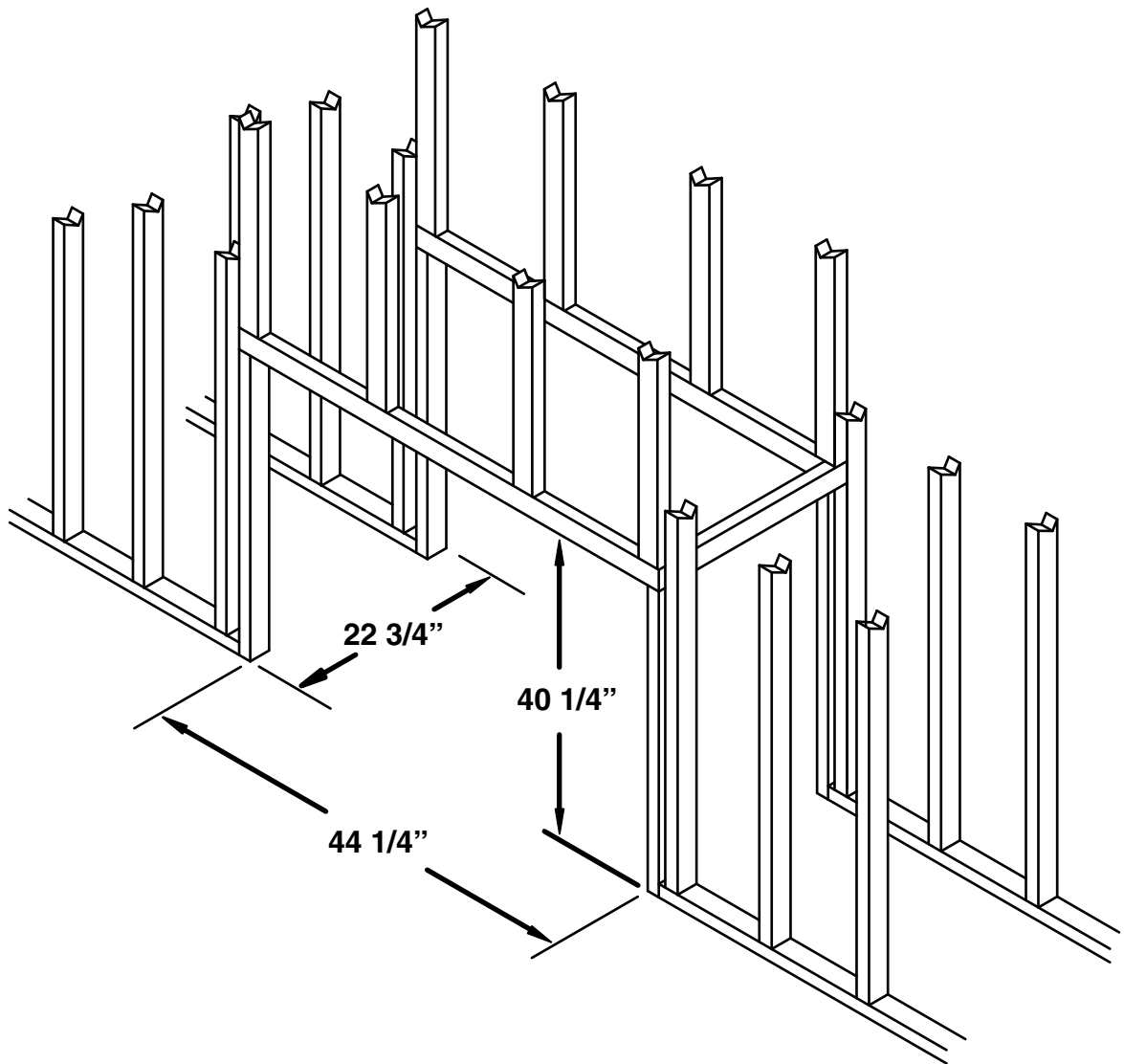
FRONT VIEW



SIDE VIEW

# 36" Universal See Thru Vent Free Fireplace

## Framing Dimensions



**NOTE:**

Built-in Features Such as Mantels, Bookshelves, etc. Made of Combustible Materials Must Maintain Minimum-Clearances from the Fireplace. See Installation Instructions for Complete Information.

“Product design, features and specifications are subject to change at any time. Refer to current product instructions prior to installation.”