

Cottage

The Builder Series

ANSI Z21.88 Certified

DIRECT VENT

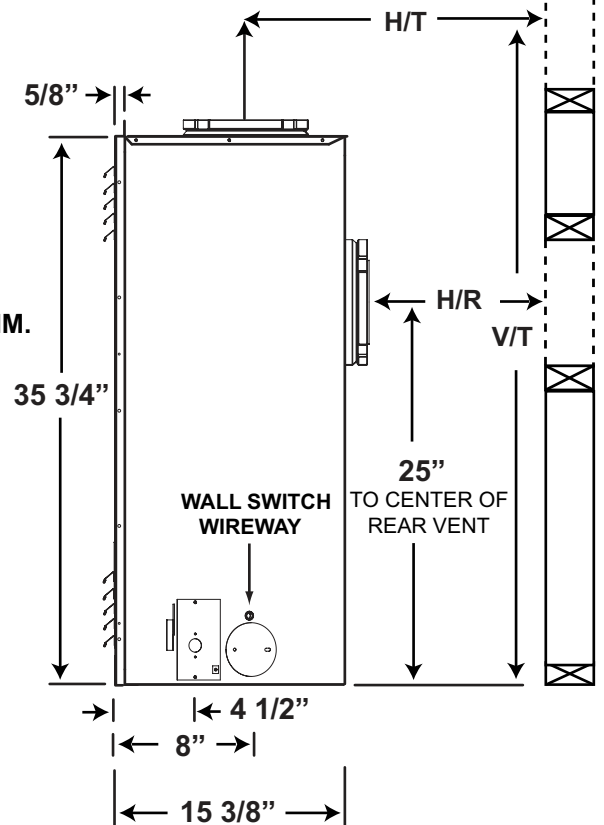
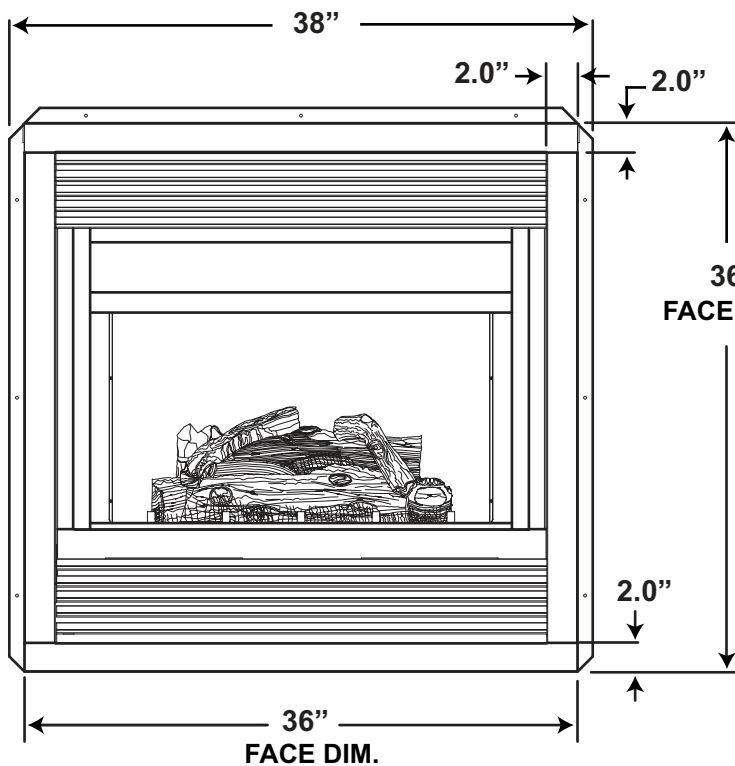
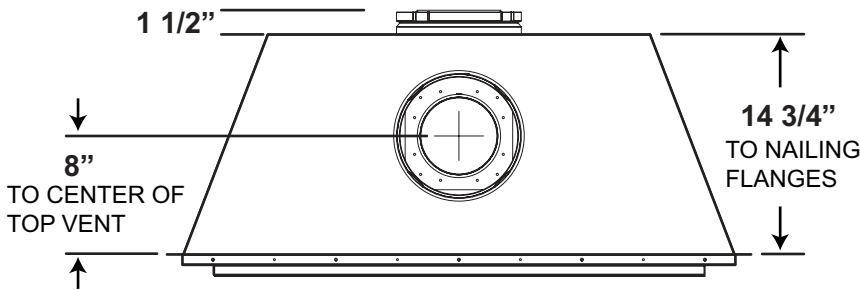
CD36 Model Series

Typ. Ground Floor/Corner Rear Vent Installation (1 - 45° Elbow)

Horiz. Run (HR)	Min. Height (VR)	Required Horiz. Pipe
18" max.	25 1/2"	18" max.

Top Vent Installations requiring a 90° Elbow

Horiz. Run (HT)	Min. Height (VT)	Required Vert. Pipe
26" max.	45 1/2"	none
30" max.	57 1/4"	1 ft.
74" max.	69 1/4"	2 ft.
98" max.	81 1/2"	3 ft.
122" max.	94"	4 ft.
146" max.	106"	5 ft.
20" max.	159"	9 ft.

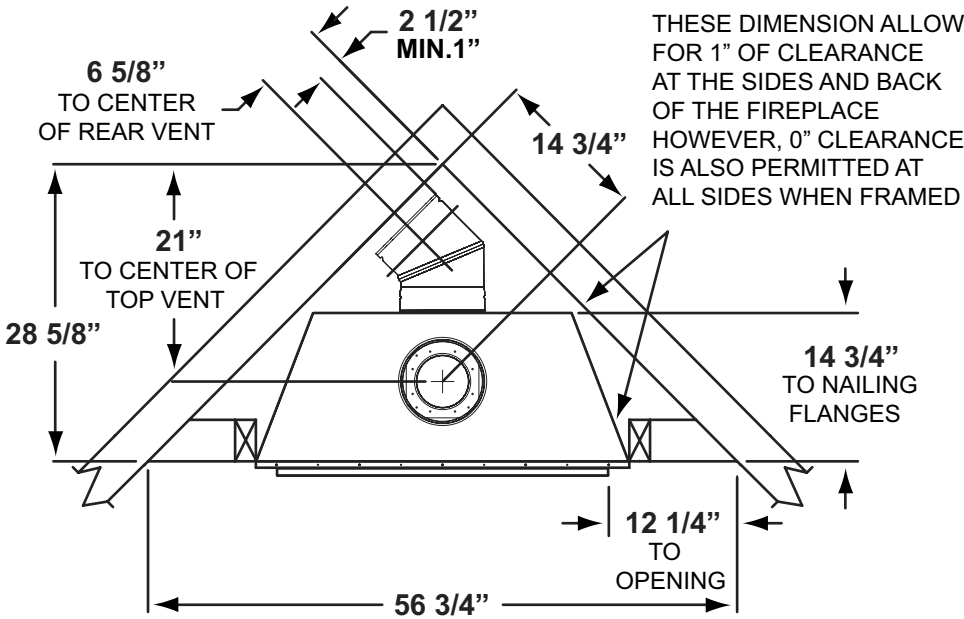
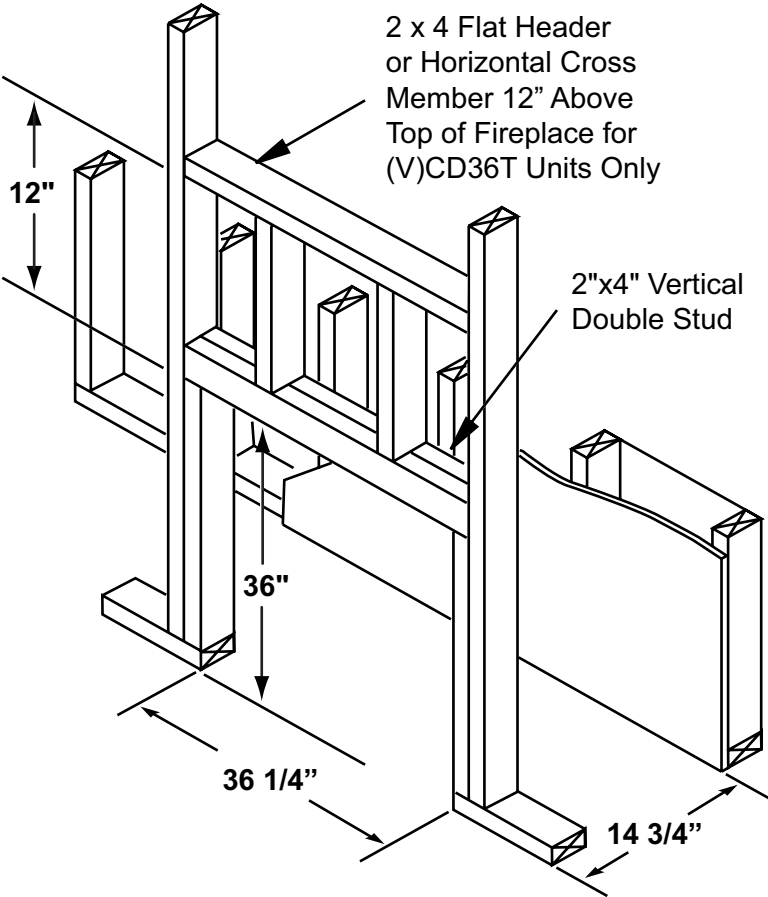
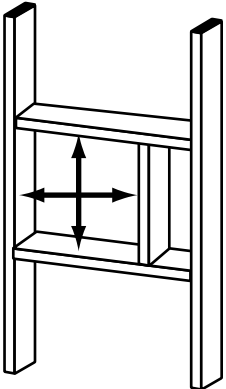


Framing Dimensions

Cottage

DIRECT VENT
CD36 Model Series

**Direct Vent Chimney
Vent Opening - 11 1/2" Square (I.D.)**



"Product design, features and specifications are subject to change at any time. Refer to current product instructions prior to installation."

