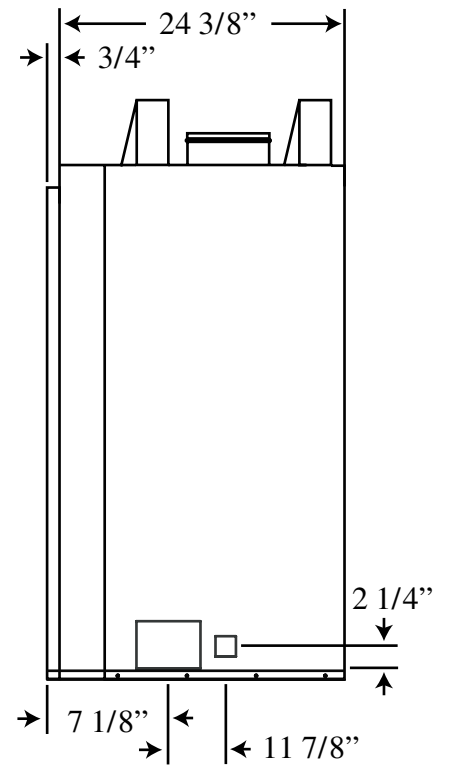
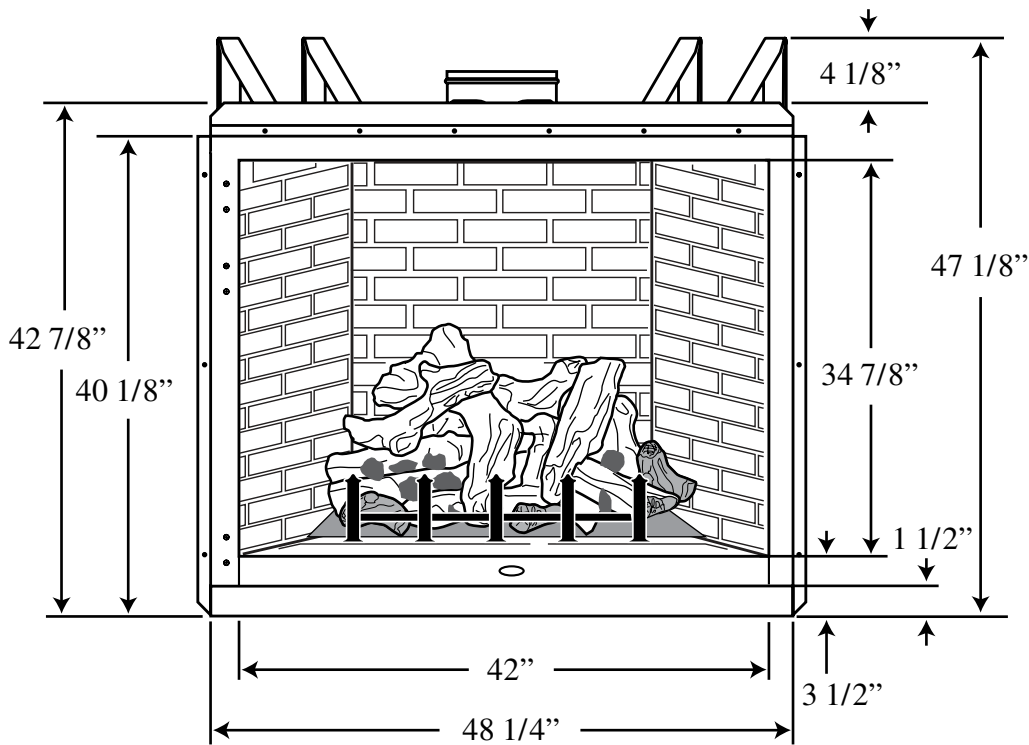
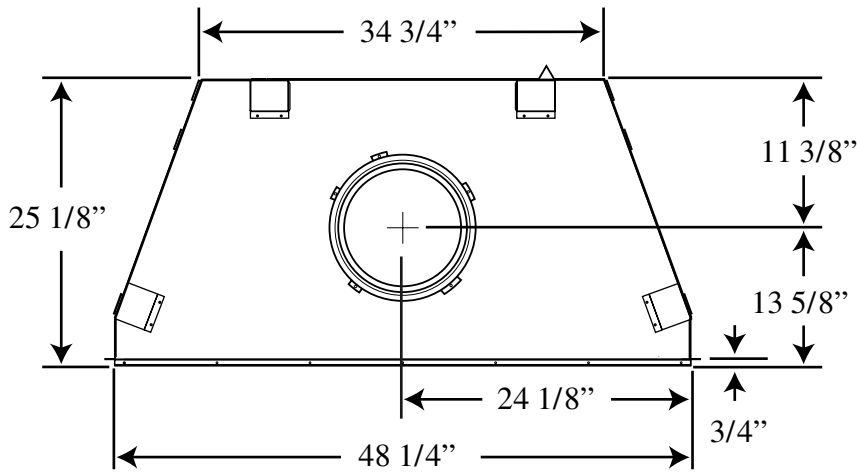


Sentinel

42" Direct Vent Fireplace

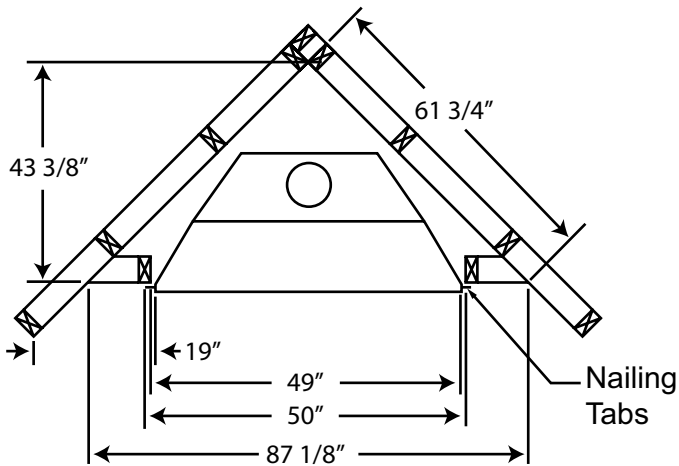
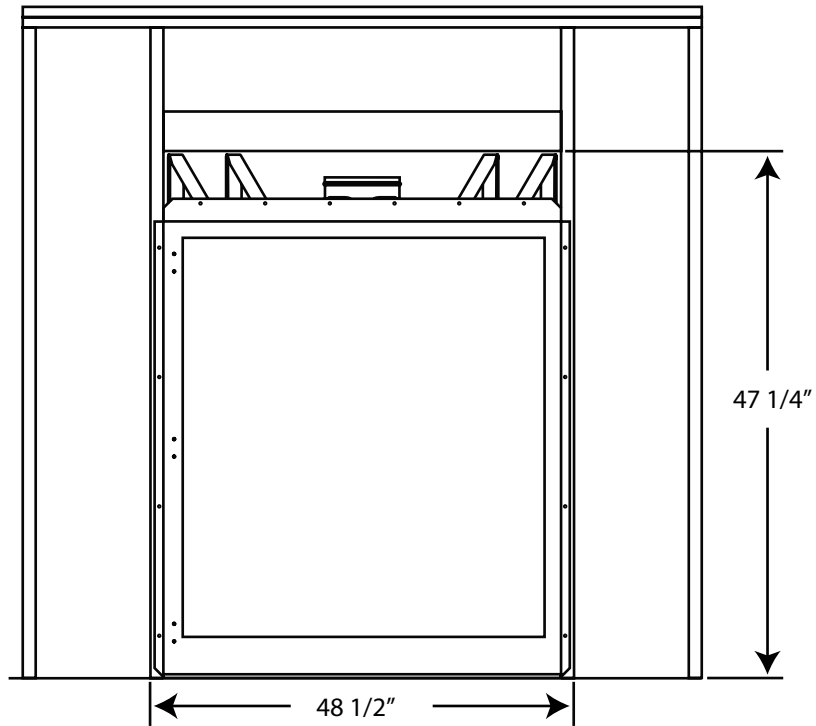
- Conceited Electronic Ignition and Control System
- Louverless, Masonry Design
- Full Refractory Brick Lining
- Continuous Nailing Flanges and Drywall Stops
- Design Certification (ANSI Z21.50)
- 41,000 BTU burner



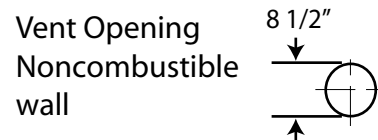
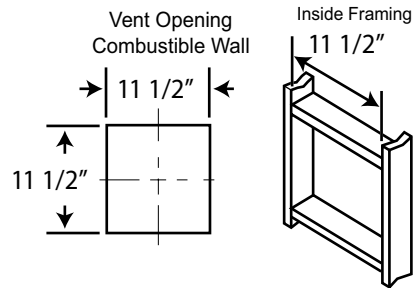
SENTINEL

42" Direct Vent Fireplace

Framing Dimensions



Chimney (Combustion) Vent Framing



NOTE:

Built-in Features Such as Mantels, Bookshelves, etc. Made of Combustible Materials Must Maintain Minimum Clearances from the Fireplace. See Installation Instructions for Complete Information.

"Product design, features and specifications are subject to change at any time. Refer to current product instructions prior to installation."

