

MONESSEN

PRODUCT SPECIFICATIONS DIS33G VENT FREE INSERT



DIS33G

INTERIOR DIMENSIONS

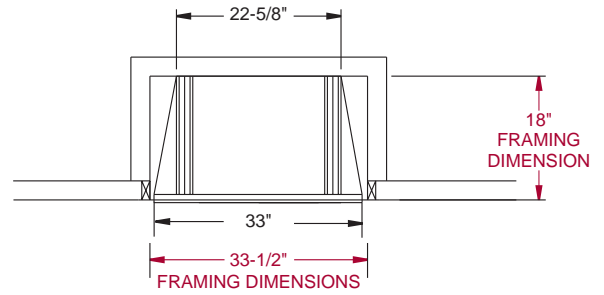
Front opening width - 27"
Front opening height - 14-1/2"
Rear wall width - 21"
Firebox depth - 13"

TECHNICAL INFORMATION

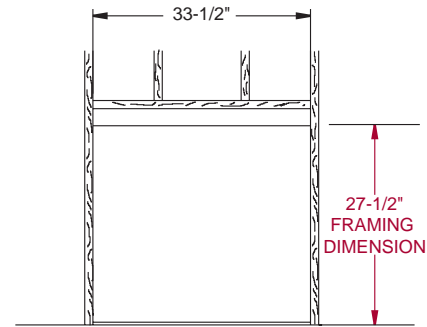
Max. BTU Input - 28,000 BTU/HR
Ignition System - Standing Pilot
Gas Type - Natural or LP
Controls - Thermostat or Millivolt
Clearance on Fireplace - Zero
CSA Design Certified

FIELD INSTALLED ACCESSORIES

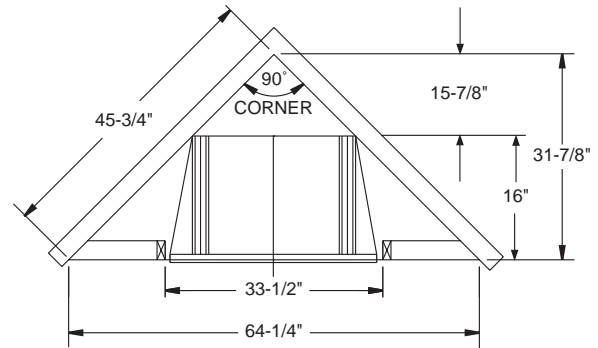
Volcanic Rock
Louvers - Polished Brass
Black Small Face Plate (33" H x 43" W) - Includes Brass Trim
Black Large Face Plate (36" H x 50" W) - Includes Brass Trim
Ceramic Fiber Cinders
Remote Controls & Thermostats



TOP VIEW



FRONT VIEW



CORNER VIEW

To avoid personal injury or property damage, the product described by this brochure must be installed, operated and maintained in strict compliance with the instructions packaged with the product and all applicable building or fire codes. Contact local building or fire officials about restrictions and installation inspection requirements. All photographs and drawings on this brochure are for illustrative purposes only and are not intended for, nor should they be used as a substitute for the instructions packaged with the unit. Appearance and specifications of the product are subject to change without notice. 6/06