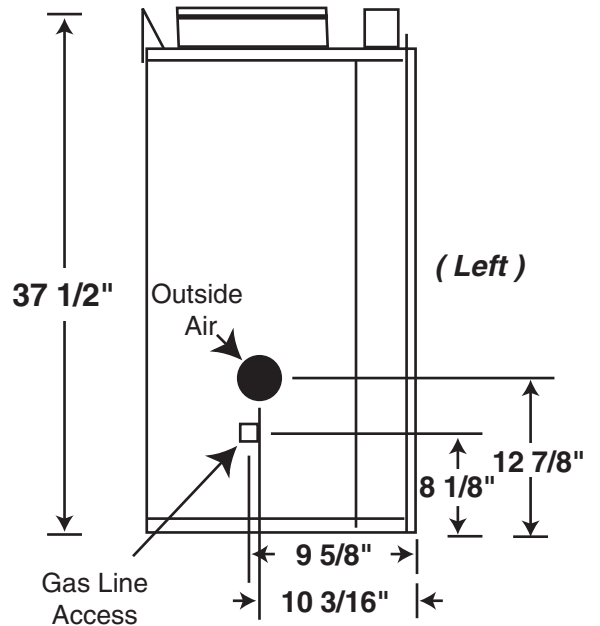
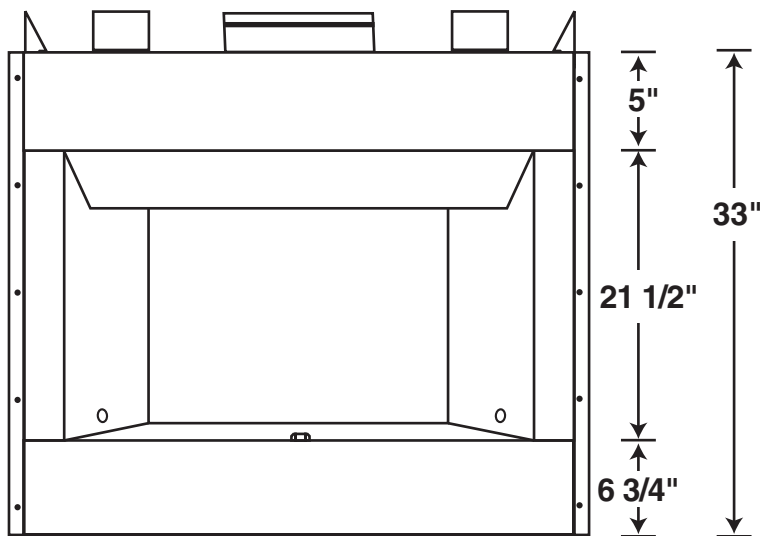
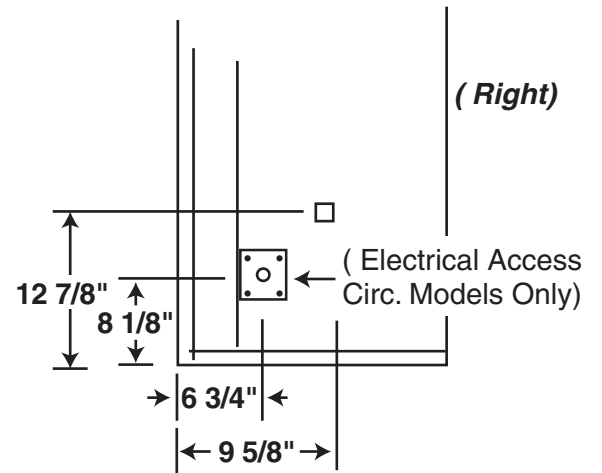
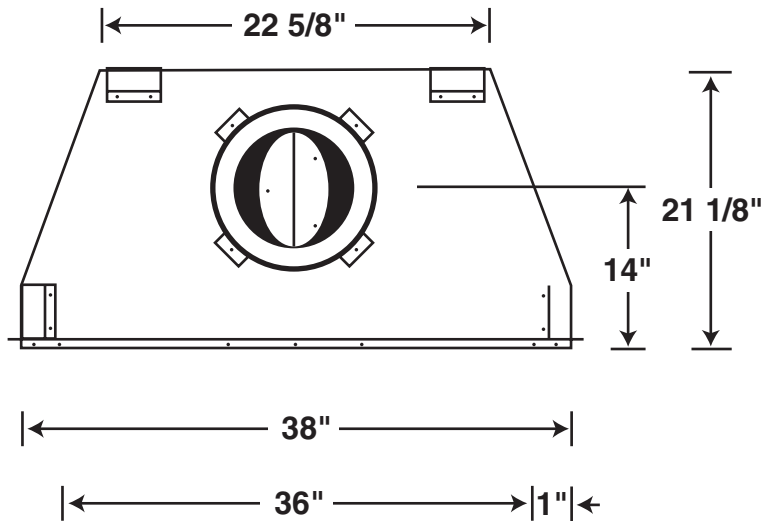


BUNGALOW

36" Woodburning Fireplace

·Full Length Nailing Flanges

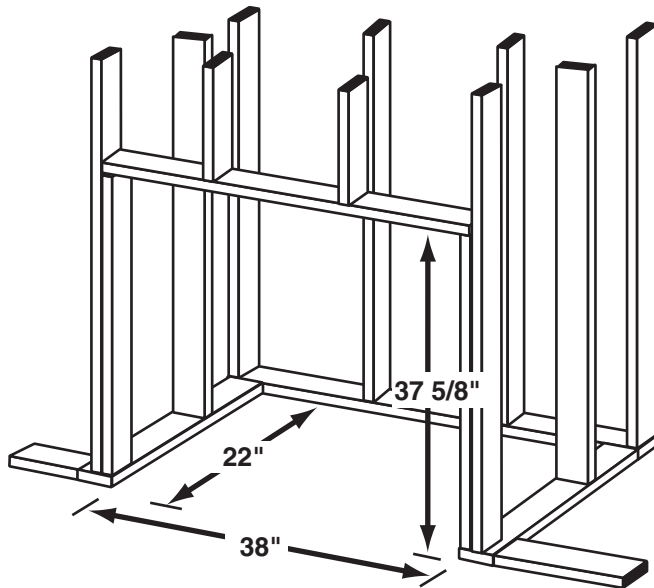
Vent Pipe Size	8"
Min. Pipe Clearance	1"
Min. System Height	11' 6"
- w/ Single Offset	11' 6"
- w/ Two Offsets	22' 0"
Max. Dist. Between Elbows	6' 0"
Max. System Height	50' 0"



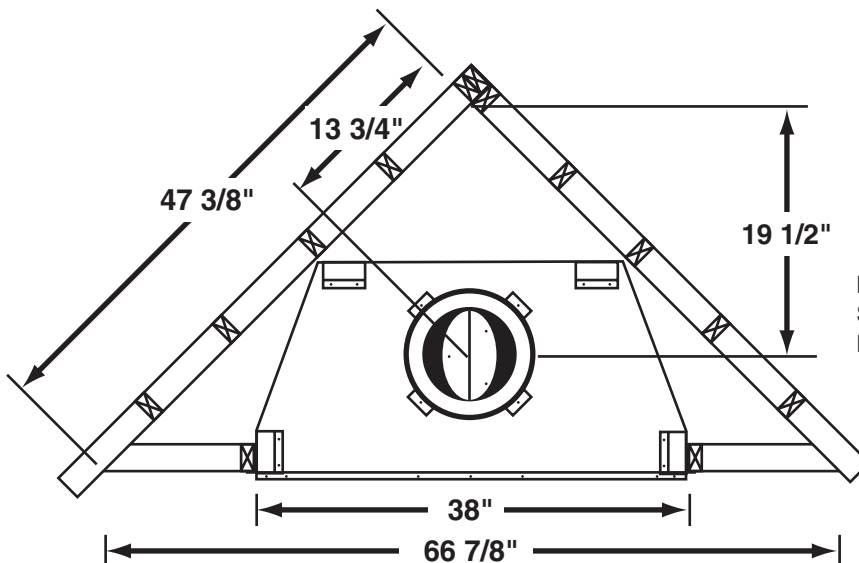
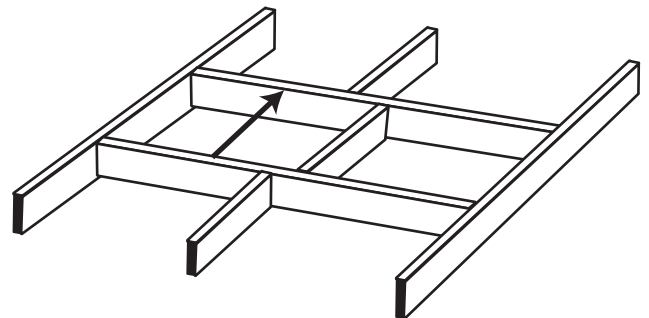
BUNGALOW

36" Woodburning Fireplace

Framing Dimensions



Ceiling / Roof Opening		w/ 30° Offset
Pitch	Opening	
Flat	15"	20 3/8"
0 -6/12	16 1/8"	N/A
6/12 - 12/12	20 3/8"	N/A



Maintain 3/4" Clearance at Sides and Back of Fireplace. Not Required at Nailing Flange

NOTE:

A Hearth Extension Projecting a Minimum of 16" in Front of, and 8" Beyond Each Side of the Fireplace Opening is Required to Protect Combustible Floor Construction in Front Of the Fireplace. See Installation Instructions for Complete Information

NOTE:

Built-in Features Such as Mantels, Bookshelves, etc. Made of Combustible Materials Must Maintain Minimum Clearances from the Fireplace. See Installation Instructions for Complete Information