

THE GRAND MASTERS SERIES

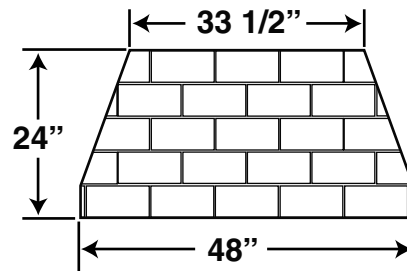
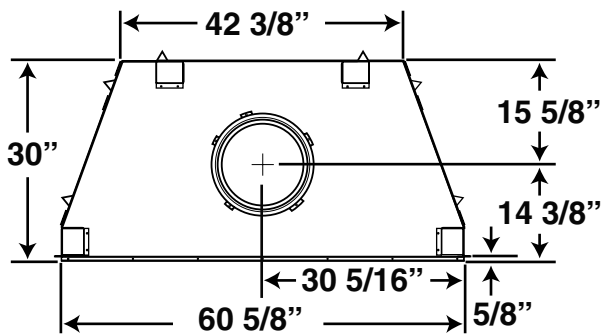
*Plantation*

UL 127 Certified

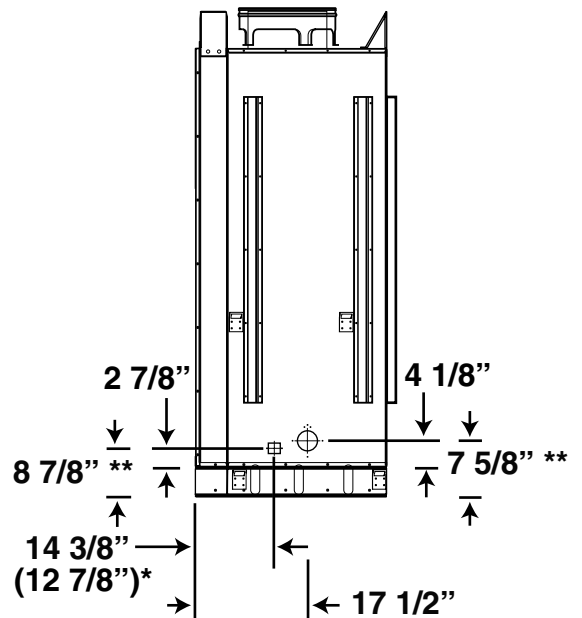
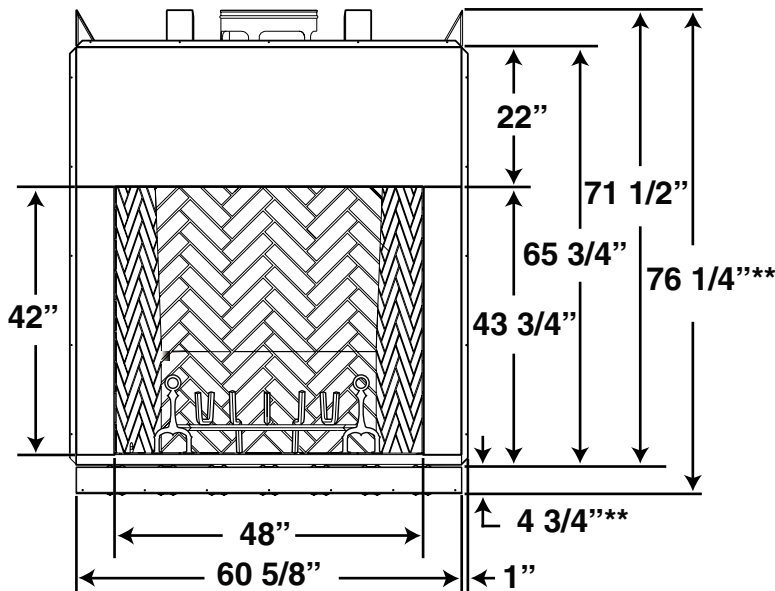
**48" Wood Burning Fireplace**

- Flush to Floor Hearth
- Slant Back Design
- Mosaic Masonry™ Fireplace Technology
- Full Masonry Design
- Full Length Nailing Flanges

Vent Size	12 3/8"
Min. Pipe Clearance	2"
Min. System Height	16'
- w/ Single Offset	16'
- w/ Two Offsets	22' 0"
Max. Dist. Between Elbows	6' 0"
Max. System Height	50' 0"



(Right side view)

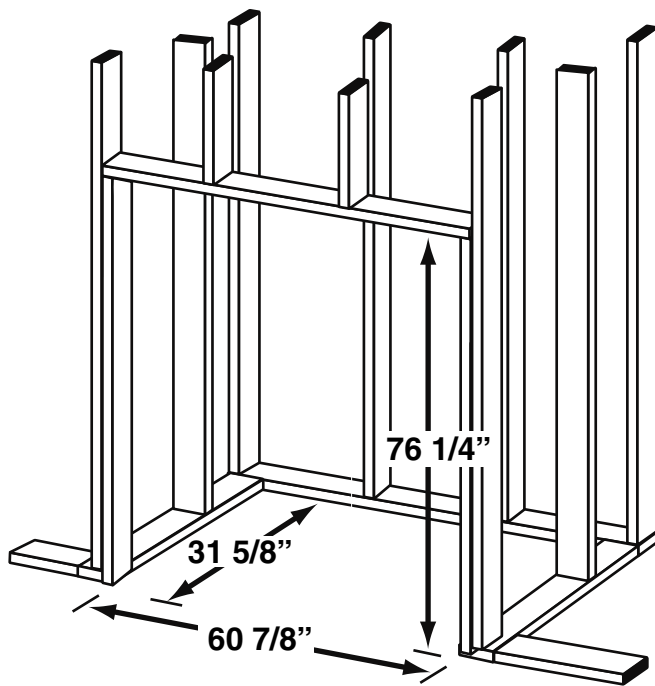


\* Measurement for Left side.

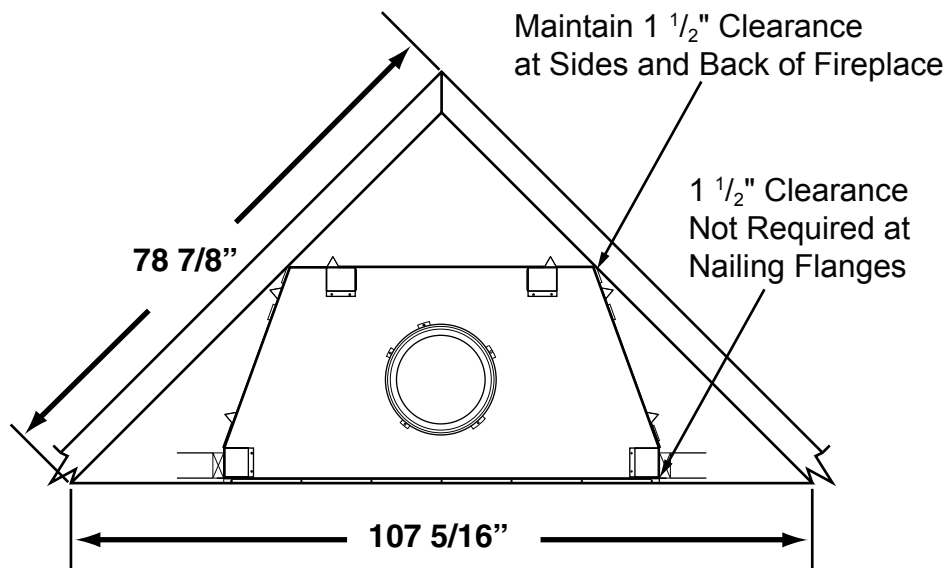
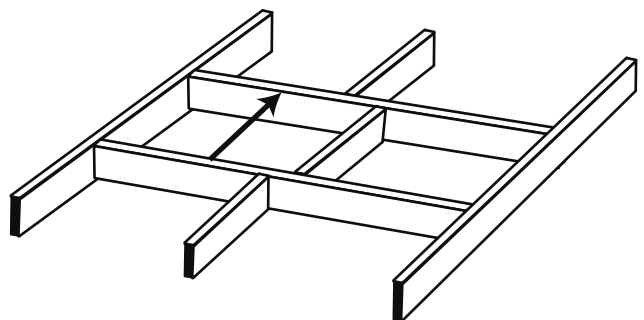
\*\* With Hearth Spacer (Required installation on combustible floors).

# Plantation

48" Wood Burning Fireplace



Ceiling / Roof Opening		w/ 30° Offset
Pitch	Opening	
Flat	19.5"	22"
0 - 6/12	22"	N/A
6/12 - 12/12	27"	N/A



**NOTE:**

A Hearth Extension Projecting a Minimum of 20" in Front of, and 18" Beyond Each Side of the Fireplace Opening is Required to Protect Combustible Floor Construction in Front Of the Fireplace. See Installation Instructions for Complete Information

**NOTE:**

Built-in Features Such as Mantels, Bookshelves, etc. Made of Combustible Materials Must Maintain Minimum Clearances from the Fireplace. See Installation Instructions for Complete Information

"Product design, features and specifications are subject to change at any time. Refer to current product instructions prior to installation."