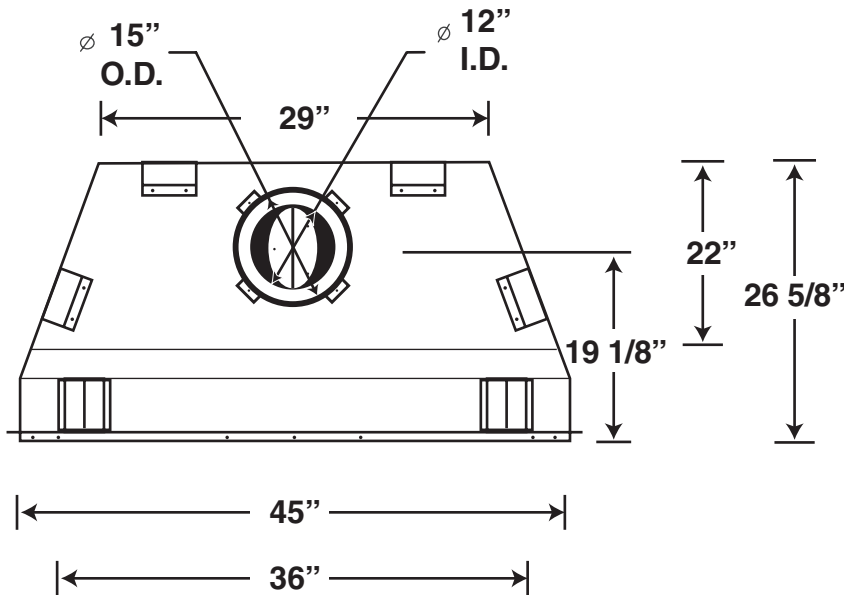


Georgian

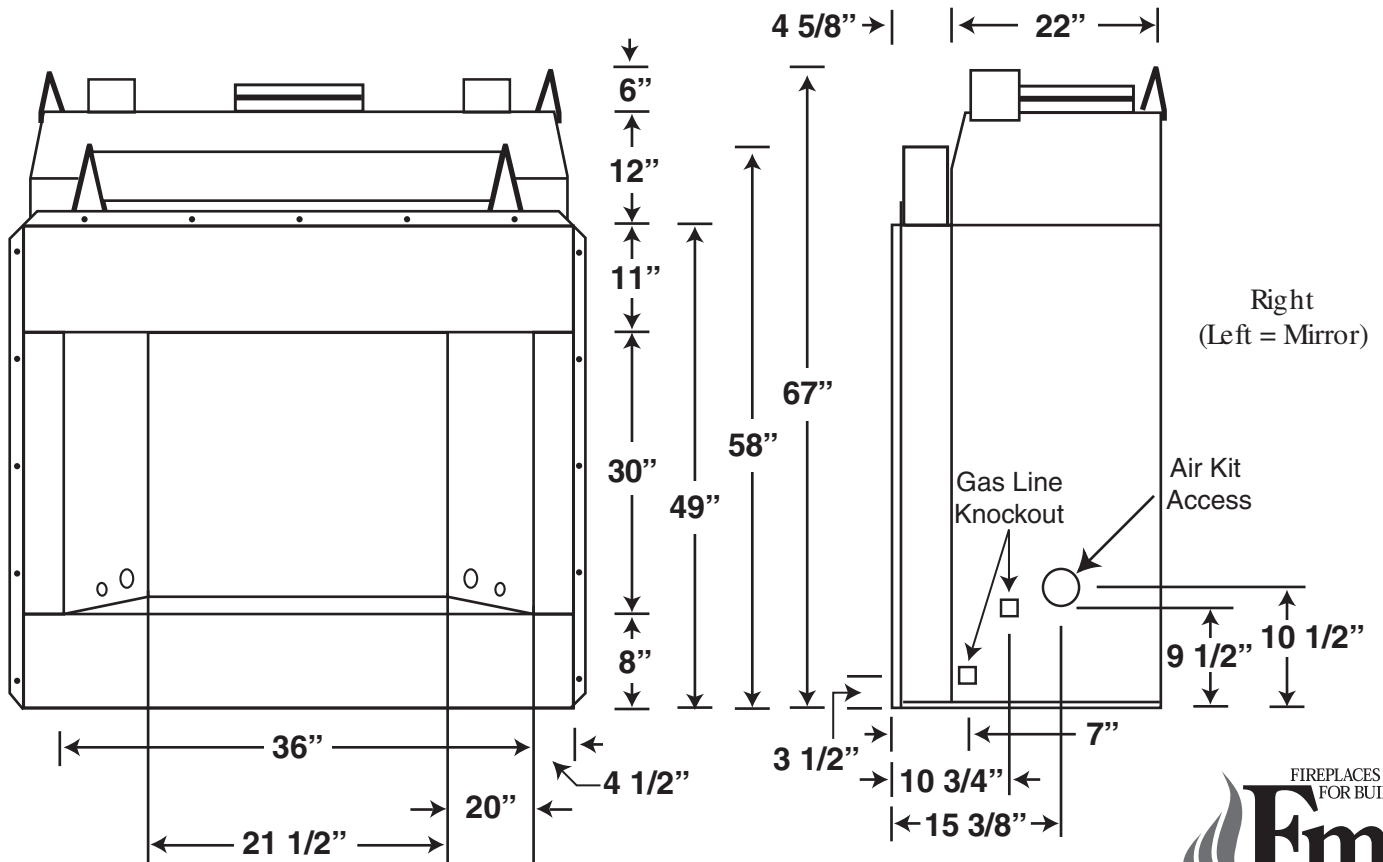
UL 127 Certified

36" Woodburning Fireplace

- Full Masonry Design
- Textured / Colored Refractory
- Gas Log Ready Design (Refractory Only)
- Full Length Nailing Flanges



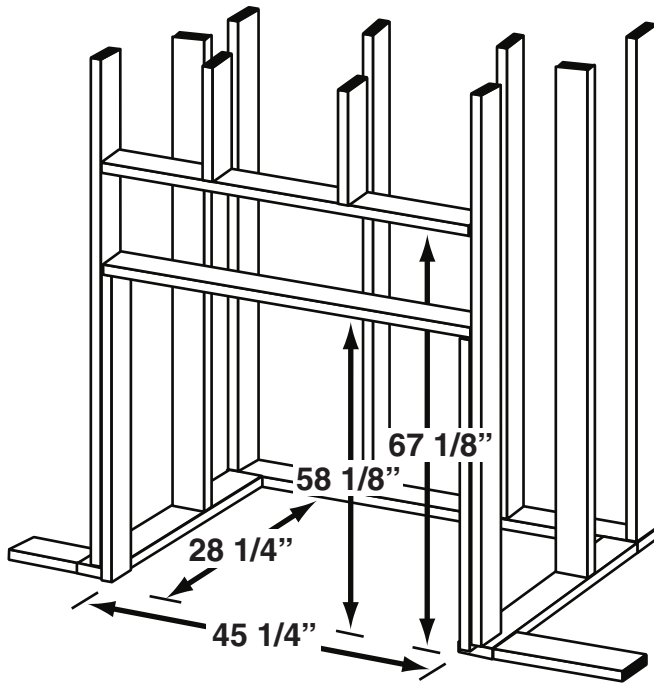
Vent Size	12"
Min. Pipe Clearance	1"
Min. System Height	16'
- w/ Single Offset	16'
- w/ Two Offsets	22' 0"
Max. Dist. Between Elbows	6' 0"
Max. System Height	50' 0"



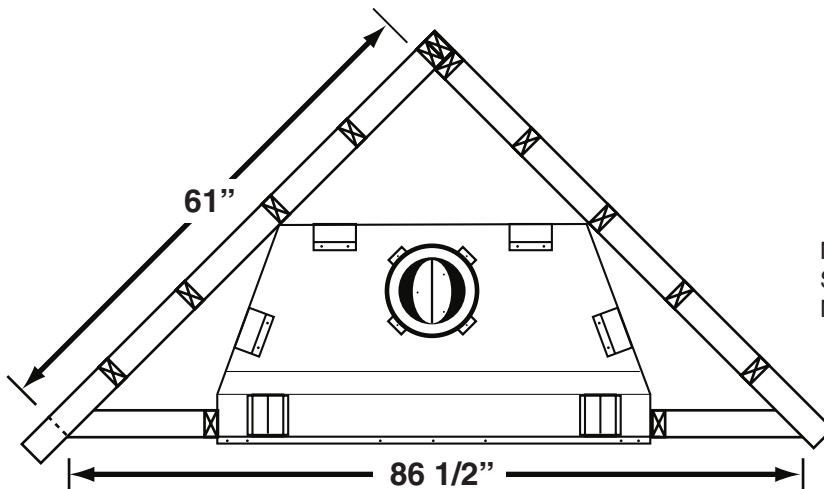
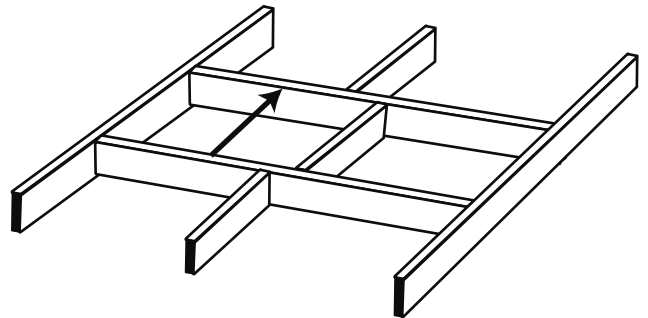
Georgian

36" Woodburning Fireplace

Framing Dimensions



Pitch	Slope	Opening "A" Max.
Flat	0°	17"
0-6/12	26.6°	19"
6/12- 12/12	45.0°	24"



Maintain 1 1/2" Clearance at Sides and Back of Fireplace
Not Required at Nailing Flange

NOTE:

A Hearth Extension Projecting a Minimum of 20" in Front of, and 12" Beyond Each Side of the Fireplace Opening is Required to Protect Combustible Floor Construction in Front Of the Fireplace. See Installation Instructions for Complete Information

NOTE:

Built-in Features Such as Mantels, Bookshelves, etc. Made of Combustible Materials Must Maintain Minimum Clearances from the Fireplace. See Installation Instructions for Complete Information

"Product design, features and specifications are subject to change at any time. Refer to current product instructions prior to installation."